

COMBITHERM® CTP7-20E ELECTRIC BOILER-FREE



CAPACITY

- Eight (8) full-size sheet pans; eight (8) GN 2/1 pans; sixteen (16) full-size or GN 1/1 pans, two rows deep
- Two (2) side racks with eight (8) non-tilt support rails; 19-7/8" (505mm) horizontal width between rails, 2-3/4" (70mm) vertical spacing between rails

CONSTRUCTION

- Stainless steel exterior, bright annealed interior
- Seamless welded interior stainless steel cavity
- CoolTouch3™ triple pane window door with hinged inner glass prevents additional heat loss and increases cooking efficiency
- Door is hinged right with a 130° swing
- High efficiency LED lighting integrated in the door

- Door mounted self-draining drip tray
- Hands free positive catch door handle with lighted visual alerts [PATENT PENDING]
- PROrinse™ ergonomic retractable hand shower includes a safety shutoff interlock that shuts off water to the hose [PATENT PENDING] and a built-in backflow preventer in the hand shower handle
- SafeVent™ provides automatic steam venting at the end of the cooking cycle [PATENT #7,282,674]
- Zero Clearance design maximizes floor space utilization with features that carefully protect temperature sensitive components and controls [PATENT PENDING]
- Adjustable stainless steel legs provide stability

CT PROFORMANCE™ STANDARD FEATURES

- Oven with state-of-the-art innovative solutions that meld together perfectly to deliver the highest performance standards, consistent food quality, and production efficiency.
- PROtouch™ control provides a simple and intuitive touch screen interface, large screen display and icons that are easy to use and identify.
- Software operation in English, French, German, Korean, Mandarin, Russian, or Spanish.
- Four cooking modes:
Steam - 85°F to 250°F (30°C to 120°C)
Convection - 85°F to 575°F (30°C to 301°C)
Combination - 85°F to 575°F (30°C to 301°C)
Retherm - 245°F to 320°F (120°C to 160°C)
- Cook time is displayed in hours : minutes : seconds for greater precision.

- Access an unlimited number of programmed titled recipes that you've customized, marked as favorites, or placed into category folders.
- Removable, single-point, quick-connect, core temperature product probe.
- Two power levels: reduced power to manage kitchen power peaks, and eco power for optimal oven efficiency.
- Absolute Humidity Control™ (AHC) provides 0 - 100% humidity levels allowing more control over the ideal cooking environment and product finish [PATENT PENDING].
- Auto-reversing fan with five different fan speeds expands cooking capabilities - from braising, roasting, to flow sensitive products such as soufflés and meringues, or any product affected by a high velocity of air movement.
- Moisture injection feature provides perfect sheen and crust on breads and pastry items.

- Auto-detect USB for HACCP data access, Recipe Management, and software updates.
- Multi-shelf timers can be labeled by product name and programmed in hours, minutes and seconds giving greater control for delicate items.
- Sleep mode can be used to save valuable time by eliminating the need to power down and restart.
- Low temperature Delta-T feature for lower temperature cooking or longer term roasting.
- Programmable cool down feature provides the operator with the ability to lower the temperature of the oven compartment at an accelerated pace.
- Dehydration auxiliary function.
- CombiClean PLUS™ fully automated cleaning with five (5) cleaning levels.
- Odometer tracking and audit trail provides extensive diagnostic and troubleshooting features.

SHORT FORM SPEC

Provide Alto-Shaam Combitherm® CT PROformance™ countertop model CTP7-20E boiler-free electric CombiOven designed with EcoSmart® technology for reduced energy and water consumption. Includes operational modes for steam, convection, a combination of steam and convection heat, and retherm. Oven is to be constructed of 18 gauge stainless steel interior cavity. Oven includes an attached retractable hand shower spray hose with safety shutoff interlock system and a backflow preventer. PROtouch™ control

features include a cool-down function, automatic cleaning function, recipe programming, two power levels, 0 - 100% humidity levels, auto-reversing fan with five (5) fan speeds, multi-shelf timers, and sleep mode. Oven includes USB port, HACCP data access, and four (4) adjustable stainless steel legs. Each oven is to accommodate up to eight (8) full-size sheet pans or sixteen (16) full-size hotel pans (GN 1/1), include standard right-hand door hinging, eight (8) non-tilt support rails, and four (4) stainless steel shelves.

FACTORY INSTALLED OPTIONS

- Boiler Version
- PROpower™ - An accelerated turbo power for an instant boost of heat or quick heat recovery [PATENT PENDING]

Electrical Choices

- 208-240V 1ph
- 208-240V 3ph
- 380-415V 3ph
- 440-480V 3ph

Door Swing

- Right-hand Door Hinging, standard
- Recessed Door, optional; increases oven width by 5" (127mm) (NOT AVAILABLE ON VENTLESS HOOD)

- Automatic Grease Collection System [U.S. PATENT 8,997,730 B2], includes four (4) 6-piece, self-trussing poultry racks #5014438, interior drip collection pan, and grease collection container with shut off valve

- Extended One-year Warranty

Cleaning System Choices

- Automatic tablet-based cleaning system, standard
- Automatic liquid cleaning system, optional
- Pumps through the system for a deep cleaning, hands free process, includes one (1) removable support tray for liquid cleaner container

- CombiHood PLUS™ ventless hood (NOT AVAILABLE ON STACKED COMBINATIONS, UNITS WITH RECESSED DOOR, OR UNITS WITH SMOKING FEATURE)

- CombiLatch™ - door interlock with adjustable timer safeguards operators from heat and steam in the oven cavity when opening the door during a cooking cycle

Installation Options (CHOOSE ONLY ONE)

- Alto-Shaam Combitherm Factory Authorized Installation Program - AVAILABLE IN THE U.S. AND CANADA ONLY
- Installation Start-Up Check - AVAILABLE THROUGH AN ALTO-SHAAM AUTHORIZED SERVICE AGENCY

- Seismic Feet Package, optional

Probe Choices

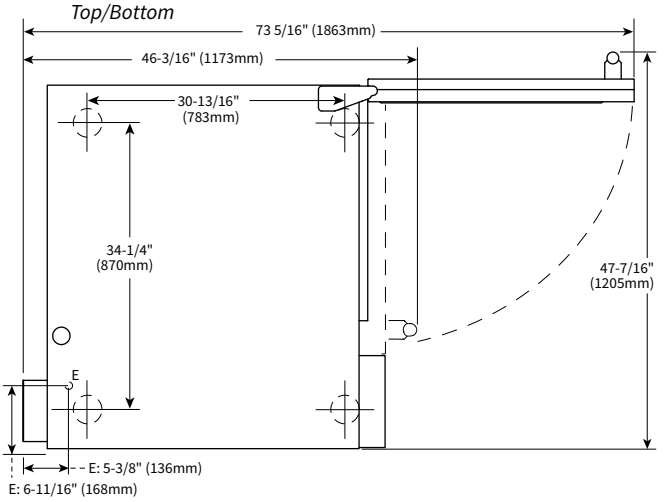
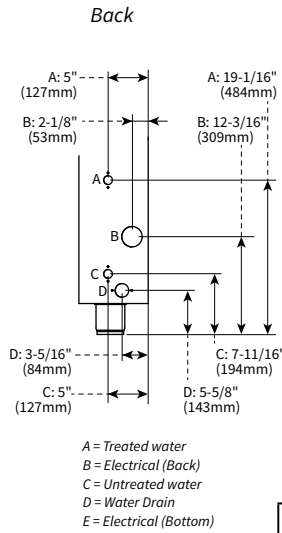
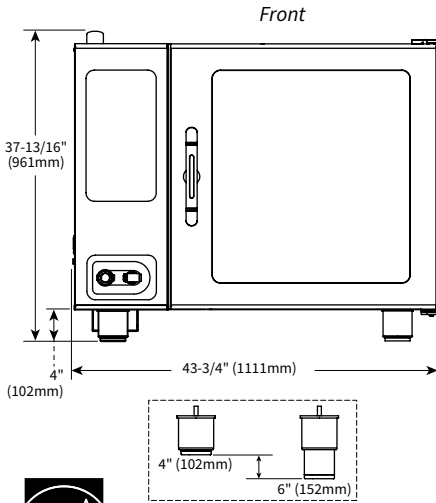
- Removable, single-point, quick-connect core temperature probe, standard
- Removable, single-point, quick-connect sous vide temperature probe, optional
- Hard-wired, multi-point core temperature probe, optional

Security Devices for correctional facility use

- Optional base package (not available with recessed door): Includes tamper-proof screw package, excludes temperature probe
- Anti-entrapment device, optional
- Control panel security cover, optional
- Hasp door lock (padlock not included), optional
- Removable, single-point, quick-connect core temperature probe, optional

- Smoking Feature - including one-step cold smoking (NOT AVAILABLE ON UNITS WITH SECURITY DEVICES)

- Stacking Hardware



DIMENSIONS: H x W x D
EXTERIOR: 37-13/16" x 43-3/4" x 46-3/16" (961mm x 1111mm x 1173mm)
EXTERIOR WITH RECESSED DOOR: 37-13/16" x 48-3/4" x 46-3/16" (961mm x 1238mm x 1173mm)
INTERIOR: 23-1/4" x 24-1/4" x 32-3/4" (590mm x 616mm x 832mm)

WATER REQUIREMENTS	
TWO (2) COLD WATER INLETS - DRINKING QUALITY*	
ONE (1) TREATED WATER INLET: 3/4" NPT connection. Line pressure 30 psi minimum dynamic and 90 psi maximum static (200 to 600 kPa) at a minimum flow rate of 0.26 gpm (1 L/min).	
ONE (1) UNTREATED WATER INLET: 3/4" NPT connection. Line pressure 30 psi minimum dynamic and 90 psi maximum static (200 to 600 kPa) at a minimum flow rate of 2.64 gpm (10 L/min).	
* Both inlets can be from same source. Divide using a manifold. Run one side through treatment device before running to oven. Must meet line pressure and flow rate specifications for both inlets.	
WATER DRAIN: 1-1/2" (40mm) connection with a vertical vent to extend above the exhaust vent. materials must withstand temperatures up to 200°F (93°C).	
CLEARANCE REQUIREMENTS	
LEFT: 0" (0mm)	18" (457mm) recommended service access
RIGHT: 0" (0mm) Non-combustible surfaces	2" (51mm) door swing or combustible surfaces
TOP: 20" (508mm) for air movement	
BOTTOM: 5-1/8" (130mm) for legs, air aintake	
BACK: 4" (102mm)	4-5/16" (109mm) optional plumbing kit
INSTALLATION REQUIREMENTS	
• Oven must be installed level.	• Hood installation is required.
• Water supply shut-off valve and back-flow preventer when required by local code.	

WATER QUALITY STANDARDS	
It is the sole responsibility of the owner/operator/purchaser of this equipment to verify that the incoming water supply is comprehensively tested and if required, a means of "water treatment" provided that would meet compliance requirements with the published water quality standards shown below. Non-compliance with these minimum standards will potentially damage this equipment and/or components and void the original equipment manufacturer's warranty. Alto-Shaam recommends using OptiPure® [www.optipurewater.com] products to properly treat your water.	
Contaminant	Inlet Water Requirements
Free Chlorine	Less than 0.1 ppm (mg/L)
Hardness	30-70 ppm
Chloride	Less than 30 ppm (mg/L)
pH	7.0 to 8.5
Silica	Less than 12 ppm (mg/L)
Total Dissolved Solids (tds)	Treated line: 50-125 ppm Untreated line: 50-360 ppm

ELECTRICAL - CTP7-20E (NO CORD, NO PLUG, DEDICATED CIRCUIT REQUIRED)										WITH COMBISMOKER® OPTION						
					ECO STANDARD			**PROpower™ OPTION			ECO STANDARD			**PROpower™ OPTION		
VOLTAGE	PH	HZ	AWG	CONNECTION	AMPS	kW	BREAKER	AMPS	kW	BREAKER	AMPS	kW	BREAKER	AMPS	kW	BREAKER
208 - 240	1*	50/60	1 - 1/0	L1, L2/N, G	79.1 - 91.3	16.5 - 21.9	80 - 100	92.1 - 106.3	19.2 - 25.5	100 - 110	81.6 - 94.1	17 - 22.6	90 - 100	94.6 - 109.1	19.7 - 26.2	100 - 110
208 - 240	3	50/60	4 - 3	L1, L2, L3, G	45.7 - 52.7	16.5 - 21.9	50 - 60	58.7 - 67.7	19.2 - 25.5	60 - 70	48.2 - 55.6	17 - 22.6	50 - 60	61.2 - 70.6	19.7 - 26.2	70
380 - 415	3	50/60	6 - 4	L1, L2, L3, N, G	28 - 30.4	18.7 - 21.9	32	41.7 - 45.4	21.4 - 25.5	63	30.6 - 33.3	19.3 - 22.6	32 - 63	44.4 - 48.3	22 - 26.2	63
440 - 480	3*	50/60	8	L1, L2, L3, G	20.6 - 22.4	15.7 - 18.7	25	26.5 - 28.8	18.3 - 21.8	30 - 35	21.9 - 23.8	16.2 - 19.2	30	27.3 - 30.0	18.8 - 22.3	30 - 35

*ELECTRICAL SERVICE CHARGE APPLIES

**NO-COST OPTION ON ELECTRIC MODELS

WEIGHT			PAN CAPACITY		STANDARD MODEL		WITH COMBISMOKER® OPTION	
NET	680 lbs EST	308 kg	FULL-SIZE:	20" x 12" x 2-1/2"	Sixteen (16)		Fifteen (15)	
SHIP	727 lbs*	330 kg*	GN 1/1:	530 x 325 x 65mm	Sixteen (16)		Fifteen (15)	
			GN 2/1:	650 x 530 x 65mm	Eight (8)		Seven (7)	
			**FULL-SIZE SHEET:	18" x 26" x 1"	Eight (8)		Eight (8)	
SHIP DIMENSIONS			PRODUCT CAPACITY					
(L x W x H) 56" x 49" x 65"*			PRODUCT MAXIMUM		168 lb (76 kg)			
(1422mm x 1245mm x 1651mm)*			VOLUME MAXIMUM		105 quarts (133 liters)			
*DOMESTIC GROUND SHIPPING INFORMATION. CONTACT FACTORY FOR EXPORT WEIGHT AND DIMENSIONS.			**ON WIRE SHELVES ONLY. ADDITIONAL WIRE SHELVES REQUIRED FOR MAXIMUM CAPACITY					