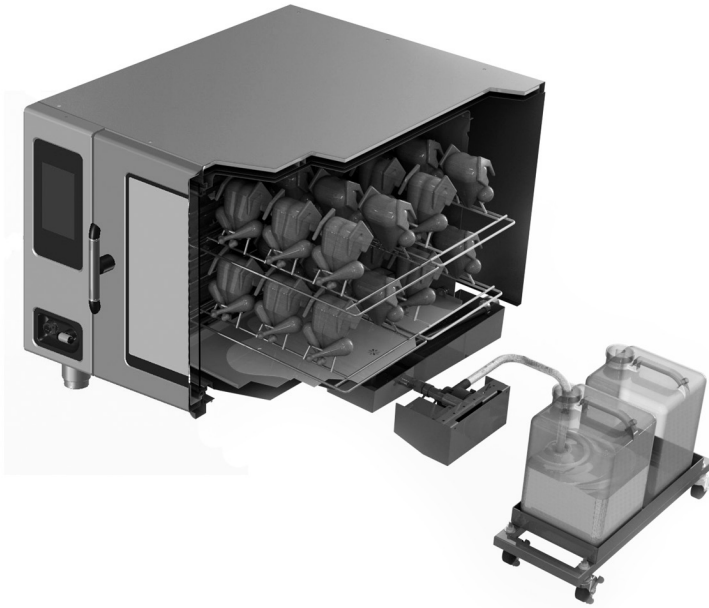
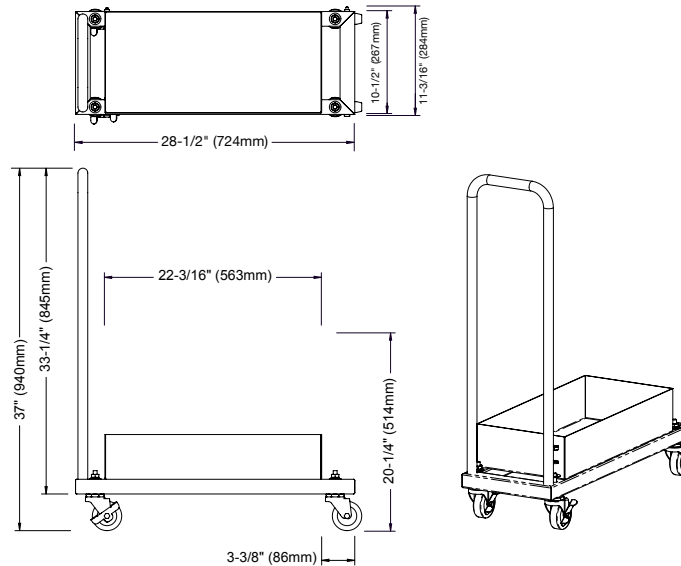


**COMBITHERM®  
AUTOMATIC GREASE  
COLLECTION SYSTEM**



- Convenient method of grease collection and disposal that operates automatically.
- Collection system is designed to save labor and provide greater employee safety by eliminating the need to handle hot grease in shallow pans.
- Automatic grease collection system is electronically activated during the cooking process when programmed [PATENT PENDING].
- Interior drip collection pan funnels the collected grease to the drain.
- The grease and other by-products are separated from the water and automatically pumped from the drain into a grease collection container (one container is included with each collection system).
- Grease collection container holds accumulated grease and by-products from multiple batches of chicken during the work day.
- Optional mobile grease collection cart includes a push handle and is easily rolled to the grease disposal site to be emptied as needed.



**MOBILE GREASE COLLECTION CART 5014542**

(H x W x D)  
37" x 28-1/2" x 11-3/16"  
(940mm x 724mm x 284mm)

