

1000-MH2-1

Mobile Heated Cart



- Holds pre-plated food fresh, flavorful and hot.
- Full perimeter bumper, flush transport handles, heavy duty casters along with the cart's reduced height provide easy mobility.
- A helicoil power cable keeps the power cord out of the way during transportation.
- Stainless steel surfaces resists corrosion.
- Easy to clean interior and base.
- Full access front gives the operator 1300 mm of clear, unobstructed storage.
- All mechanical equipment is easily accessible for ease in servicing.
- Electronic LED digital display monitors inside air temperature.
- Non-tilt pan slides.

Stainless steel exterior and door is fully insulated with 60mm of polyurethane. Self-closing lockable door is hinged right as standard and includes a removable magnetic door gasket. The cart is supplied with fifteen (15) sets of non-tilt pan slides, and removable humidity tray.

Cart is factory preset to operate between 78°C and 82°C. A LED display monitors the inside temperature. Cart generates 7000 BTU/h. Audio visual temperature alarms are included as standard, along with HACCP capability. Unit includes a full-perimeter bumper guard, two (2) flush transport handles on each end of the cart, and four (4) heavy duty swivel casters – two (2) with brake.

1000-MH2-1 - Single compartment mobile heated cart

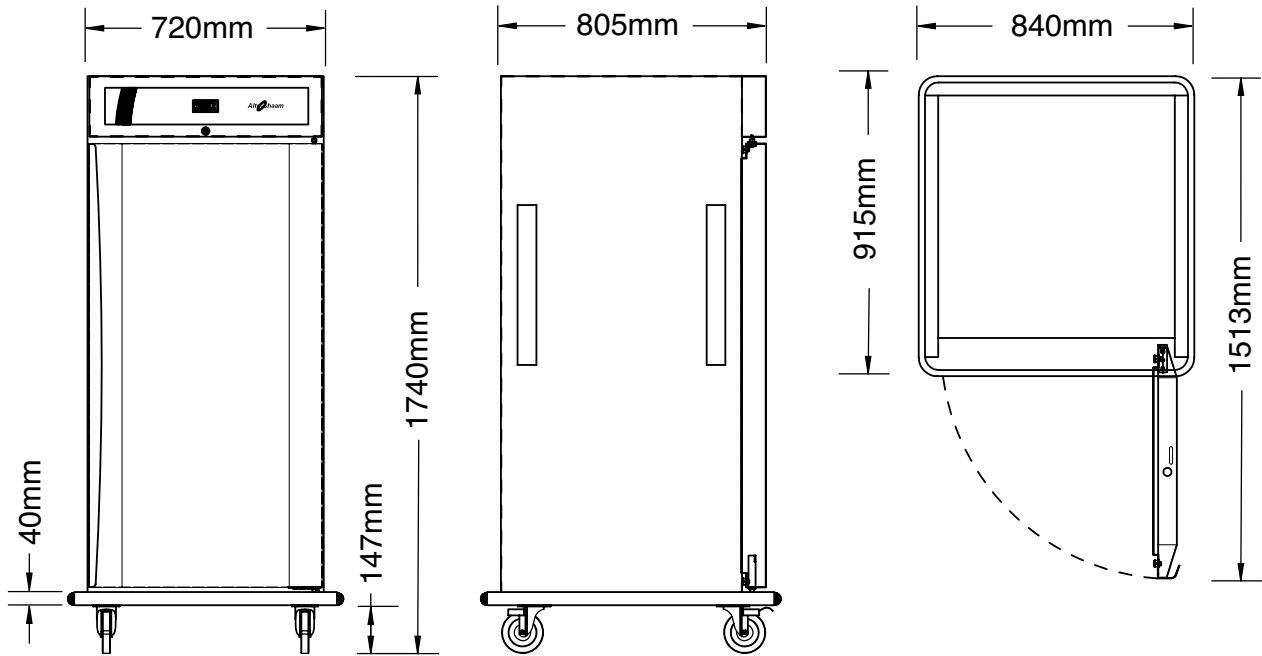


Factory-Installed Options

- Electrical
 - 220V
- Door swing option
 - Right-hand door, standard
 - Left-hand door, optional

1000-MH2-1

Mobile Heated Cart



Installation Requirements

- Cart must be installed level.
- Cart must not be installed in any area where it may be affected by steam, grease, dripping water, extreme temperatures, or any other severely adverse conditions.

Dimensions: H x W x D

Exterior:

1740 mm x 840 mm x 915 mm

Interior:

1300 mm x 595 mm x 670 mm

Clearance Requirements

Full perimeter bumper accommodates all clearance requirements.

Electrical

V	Ph	Hz	A	kW
220	1	50/60	9.5	2.2

220 1 50/60 9.5 2.2



GB-2099
10A plug



CEE 7/7
Plug rated 250V

Weight

Net

110kg

Ship

Standard pallet: 138kg
Wood crate: 168kg

Shipping dimensions: (L x W x H)

970mm x 890mm x 1920mm

Accessories

- Shelf, Stainless Steel
2/1 GN (650mm x 530mm)

SH-36816

Product/Pan Capacity

163 kg maximum

Volume maximum: 285 liters

Gastronorm 1/1:

Thirty (30)

530 mm x 325 mm x 65 mm



W164 N9221 Water Street • P.O. Box 450 • Menomonee Falls, Wisconsin 53052-0450 • U.S.A.
Phone: 262.251.3800 800.558.8744 U.S.A./Canada Fax: 262.251.7067 800.329.8744 U.S.A. only
www.alto-shaam.com