

500-1D 500-2D 500-3D Drawer Warmers



500-1D



500-3D



500-2D



- Halo Heat . . . a controlled, uniform heat source that gently surrounds foods for better appearance, taste, and longer holding life.
- Product moisture is retained without adding water.
- Digital control senses temperature drops faster, providing quick heat recovery time.
- Can be built into cabinets or counters. Built-in trim kits are available.
- Stackable design.

Short Form Spec

Alto-Shaam drawer warmer is constructed with a non-magnetic stainless steel exterior and removable stainless steel drawer rail supports. Each drawer includes one (1) full-size (GN 1/1) 12" x 20" x 6" (305mm x 508mm x 152mm) stainless steel pan. The warmer is controlled by an ON/OFF power switch; up and down arrow buttons with a temperature range of 60°F to 200°F (16°C to 93°C); heat indicator light; temperature display button, and digital display.

- Model 500-1D:** One drawer warmer

- Model 500-2D:** Two drawer warmer

- Model 500-3D:** Three drawer warmer

Factory Installed Options

- Electrical Choices
 - 120V
 - 208-240V
 - 230V
- Drawer Choices (order per drawer)
 - Non-Vented, Standard
 - Vented, Optional (5014559)
- Pan Choices - One (1) per drawer supplied
 - Full-size (GN 1/1), Standard (PN-25088)
12" x 20" x 6" (305mm x 508mm x 152mm)
 - or -
 - Oversize, Optional (PN-2123)
15" x 20" x 5" (381mm x 508mm x 127mm)

Additional Features

- Stack units without additional hardware
- Individual or stacked units can be mounted on:
 - 3" (76mm) Casters and Caster Stand Assembly
 - 5" (127mm) Casters and Caster Stand Assembly
 - 6" (152mm) Leg Stand Assembly

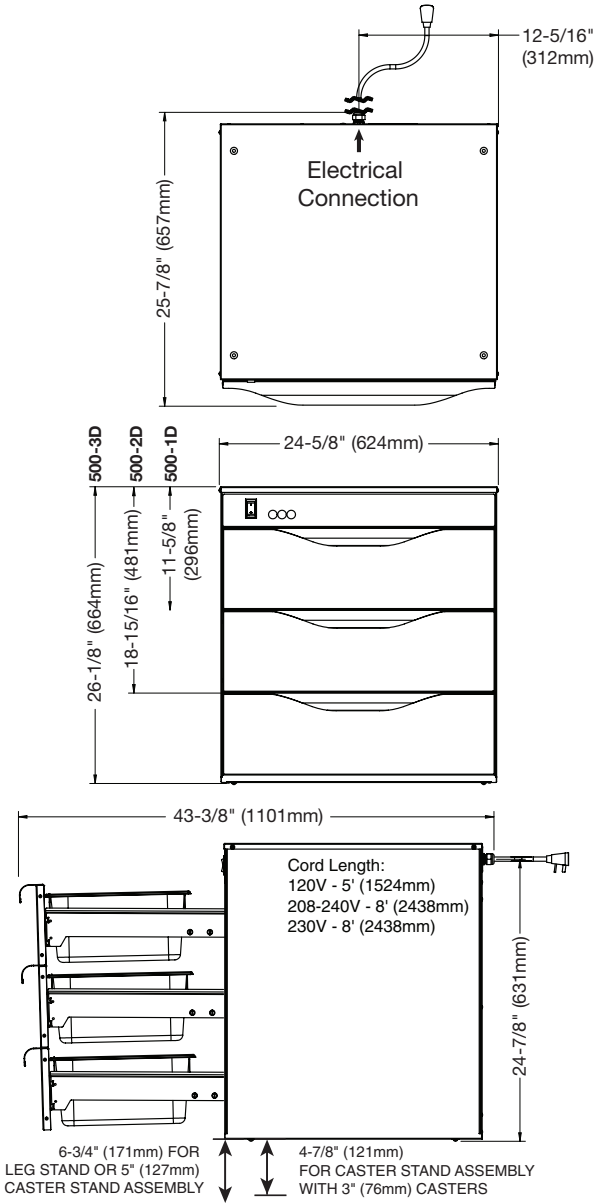


W164 N9221 Water Street • P.O. Box 450 • Menomonee Falls, Wisconsin 53052-0450 • U.S.A.
 Phone: 262.251.3800 800.558.8744 U.S.A./CANADA Fax: 262.251.7067 800.329.8744 U.S.A. only
www.alto-shaam.com



500-1D, 500-2D, 500-3D

Drawer Warmers



Dimensions H x W x D
500-1D exterior: 11-5/8" x 24-5/8" x 25-7/8" (296mm x 624mm x 657mm)
500-2D exterior: 18-15/16" x 24-5/8" x 25-7/8" (481mm x 624mm x 657mm)
500-3D exterior: 26-1/8" x 24-5/8" x 25-7/8" (664mm x 624mm x 657mm)
Cut out dimensions: (for units with built-in trim) Add 3/4" (19mm) to unit height and 1-1/2" (38mm) to unit width

Electrical					
V	Ph	Hz	A	kW	
120	1	50/60	5.3	0.64	NEMA 5-15P 15A, 125V plug
208-240	1	50/60	2.7	0.64	NEMA 6-15P 15A, 250V plug
230	1	50/60	2.6	0.59	Plugs rated 250V
CEE 7/7	CH2-16P	BS 1363	AS/NZS 3112		

Product Capacity - per drawer
Full-size Pan (GN 1/1): 12" x 20" x 6" (305 x 508 x 152mm) 36 lbs (16 kg) maximum
Oversize Pan: 15" x 20" x 5" (381 x 508 x 127mm) 41 lbs (19 kg) maximum

Weight (Est.)	500-1D	500-2D	500-3D
Net:	80 lb (36 kg)	115 lb (52 kg)	150 lb (68 kg)
Ship:	90 lb (41 kg)	125 lb (57 kg)	165 lb (75 kg)
Carton dimensions: (Lx W x H)	30" x 27" x 16" (762mm x 686mm x 406mm)	30" x 27" x 23" (762mm x 686mm x 584mm)	30" x 27" x 30" (762mm x 686mm x 762mm)

Installation Requirements
Drawer warmer must be installed level, and must not be installed in any area where it may be affected by steam, grease, dripping water, high temperatures, or any other severely adverse conditions.

Clearance Requirement (for ventilation)
Minimum: 3" (76mm) at the back, 2" (51mm) at the top, and 1" (25mm) at both sides. On-site venting for proper airflow must also be provided for built-in counter installations.

Accessories	
Built-in Trim Kit	
<input type="checkbox"/> 500-1D	5015147
<input type="checkbox"/> 500-2D	5015149
<input type="checkbox"/> 500-3D	5015153

Caster Stand Assembly	
<input type="checkbox"/> with 5" (127mm) casters	15379
<input type="checkbox"/> with 3" (76mm) casters	5010920
<input type="checkbox"/> Leg Stand Assembly	15380
Perforated Pan Grid	
<input type="checkbox"/> 15" x 20" (381mm x 508mm)	1231
<input type="checkbox"/> 12" x 20" (305mm x 508mm)	16642



W164 N9221 Water Street • P.O. Box 450 • Menomonee Falls, Wisconsin 53052-0450 • U.S.A.
Phone: 262.251.3800 800.558.8744 U.S.A./Canada Fax: 262.251.7067 800.329.8744 U.S.A. only
www.alto-shaam.com