



# 100-CW Series

## Cold Food Drop-In Well



- Coldwall drop-in refrigerated cold display pan.
- Meets NSF Std. #7 for cold holding at 41°F (5°C) or below.
- Exterior body is corrosion resistant steel.
- Interior fitted with drain at one end. Drain nipple with 3/4" thread supplied with gate valve.
- Insulated with CFC free, foamed in place polyurethane.
- Recessed, stainless steel ledge provided for supporting pans, adaptor bars included.
- Stainless steel top and coved corner interior.
- Dual air movement louver provided.
- Adjustable thermostat provides cold holding temperature flexibility.

The 100-CW is a self-contained, wrapped coldwall drop-in refrigerated cold display pan with one piece stainless steel interior and top. 1" (25mm) drain with 3/4" thread, and gate valve provided. R290 refrigerant. Wrapped refrigeration construction, expansion valve, and adjustable thermastatic control. Entire system is mounted on corrosion resistant framework, suspended below unit body. Sliding shroud and dual air movement louver included to direct air flow.

The unit holds one (1) 6" (176mm) deep full-size pan or a combination of standard (gastronorm) pan sizes. The cold well includes two (2) 20" (508mm) pan divider bars.

**Model 100-CW:** Refrigerated unit for cold display without ice, self-contained 1/4 hp compressor

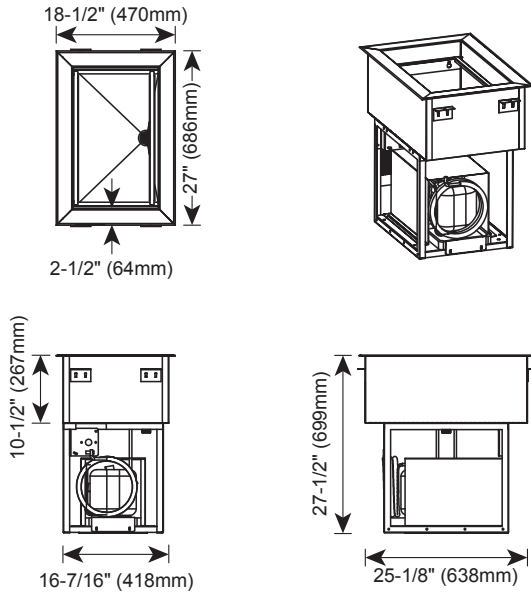
**Model 100-CW/R:** Refrigerated unit for cold display without ice, for use with a remote compressor






# 100-CW Series

## Cold Food Drop-In Well



Accessories	
<b>Pan Divider Bars</b>	
12" (305mm) for Half-Size / Third-Size pans .....	1014395
<b>Remote on/off switch</b> .....	SW-35840
8' (2438mm) Extension,	
Cutout (H x W):	Contact Factory

100-CW Dimensions: H x W x D
<b>Exterior:</b> 27-1/2" x 18-1/2" x 27" (699mm x 470mm x 686mm)
<b>Interior Cold Well:</b> 6-1/4" x 13-3/8" x 22" (159mm x 340mm x 559mm)
<b>Counter Cutout (L x W):</b> 16-7/8" x 25-1/2" (429mm x 648mm)
<b>Dual Air Movement Louver Cutout (H x W):</b> 21" x 16" (533mm x 406mm)

Electrical					
V	Ph	Hz	A	kW	Plug
115	1	60	5.0	.6	 NEMA 5-15P 15A-125V plug 9' (229mm) long cord

Product/Pan Capacity (Based on 6" deep pans)	
	36 lb (16.3 kg) Max. volume: 22 qt. (21 L)
Full-Size Pans*:	One (1) 12" x 20" x 6" GN 1/1 (325mm x 530mm x 176mm)
Half-Size Pans*:	Two (2) 12" x 10" x 6" GN 1/2 (325mm x 265mm x 176mm)
Third-Size Pans*:	Three (3) 12" x 6" x 6" GN 1/3 (325mm x 176mm x 176mm)

\*will also accept 2-1/2" (65mm) and 4" (102mm) deep pans

Installation Requirements
The countertop material must be water resistant.
A distance of 3/4" (19mm) or more is required between the top rims of the wells to ensure easy cleaning.
The cold well must be installed level.
The cold well must not be installed in any area where the cold well may be directly affected by steam, grease, dripping water, high temperatures, or any other severely adverse conditions.
The cold well must not be installed under a hood.
Avoid installing the cold well under a 4-way ceiling diffuser.
Outdoor use is not recommended.
A water drain or a water catch basin is required for the cold well.
LED lighting is recommended for overhead lighting.

Weight	100-CW	100-CW/R
<b>Net Weight:</b>	140 lb (64 kg) est.	Contact Factory
<b>Ship Weight:</b>	171 lb (78 kg)	Contact Factory
<b>Crate Dimensions:</b> (L x W x H)	31-3/4" x 23-1/4" x 36" (806 x 591 x 914mm)	Contact Factory

Clearance Requirements
4" (102mm) in front of dual air movement louver

Remote BTU Requirements
Low temp compressor: -10°F suction line **BTU load: 249 **Does not include line run for remote compressor



W164 N9221 Water Street • P.O. Box 450 • Menomonee Falls, Wisconsin 53052-0450 • U.S.A.  
Phone: 262.251.3800 800.558.8744 U.S.A./Canada Fax: 262.251.7067 800.329.8744 U.S.A. only  
www.alto-shaam.com