

# Cook & Hold Oven

## Model 1000-TH

ALTO-SHAAM

Original Cook & Hold Ovens produce better food quality and higher yields with built-in savings.

Gentle, radiant Halo Heat® technology evenly surrounds food without the use of extremely hot elements, added humidity or fans. This controlled, uniform heat maintains precise temperatures throughout the cooking and holding process—improving food quality and extending hold times.

Cook by time or probe with Simple or Deluxe controls. Probes sense internal product temperature and automatically convert the oven from cook mode to hold mode once set parameters have been reached.

Labor-free, overnight cooking and effortless operation reduces labor costs and increases productivity.

Place anywhere with a ventless, waterless design. Lower costs with energy efficient operation and no water hookups or traditional kitchen hood required. All Alto-Shaam Cook & Hold Ovens are EPA 202 Certified ventless.

Advanced controls – designed intentionally simple – feature an intuitive, user-friendly interface and programmable recipes to ensure consistency with each cook.

ChefLinc™, cloud-based remote oven management software, streamlines processes and maximizes profits with data-driven insights [Deluxe model only].

ISO 9001:2015-certified.

### Standard Features

- Casters (two [2] rigid, two [2] swivel with brake)
- Single-point, straight removable probe
- Drip tray and drip pan with drain
- Programmable, touchscreen control on Deluxe model
- Programmable control on Simple model
- HACCP data collection on Deluxe model
- Easy recipe upload/download via USB port
- SureTemp™ heat recovery on Deluxe model
- Two [2] stainless steel side racks with fifteen [15] pan positions spaced 36mm on centers
- Removable exterior drip tray



8 GN 1/1 — 530mm x 325mm x 65mm

16 GN 1/2 — 265mm x 325mm x 65mm

Weight maximum: 54 kg

Volume maximum: 56.8 liters

Three [3] shelves included. Additional shelves required for maximum capacity.

CE EAC IP X4



Lifetime Warranty

On all Cook & Hold heating elements (excludes labor)



1000-TH

Shown with Deluxe control

### Configurations (select one each)

#### Models

- Simple
- Deluxe
  - Ethernet option (5032090)

#### Door Choice

- Right hinged, solid door, standard
- Right hinged, window door
- Left hinged, solid door
- Left hinged, window door

#### Special Probe Configuration (if applicable)

- Multi-point probe (5017133)

#### Electrical

- 120V, 1Ph
- 208-240V, 1Ph
- 230V, 1PH

#### Casters and Legs

- 64mm casters, two (2) rigid two (2) swivel with brake, standard (5027134) – not available with bumper
- 89mm casters, two (2) rigid two (2) swivel with brake, option (5027133)
- 127mm casters, two (2) rigid two (2) swivel with brake, option, (5027112)
- 152mm legs, set of four (4)
- 152mm seismic legs, set of four (4)

#### Optional Accessories (select all that apply)

#### Bumper and Handles

- Full perimeter bumper
- Push/Pull handle kit

#### Additional Probes

- Sous vide probe (PR-36576)
- T-handle probe, up to six (6) with Deluxe (PR-46998)
- Straight probe, up to six (6) with Deluxe (qty one (1) included with oven) (PR-46999)

#### Drip Pans, Shelves, Holders

- Drip pan with drain (5025893)
- Drip pan, without drain (1034371)
- Increased capacity exterior drip pan (5030659)
- Shelf, stainless steel (SH-2325)
- Carving holder, prime rib (HL-2635)
- Carving holder, steamship (cafeteria round) (4459)

#### Cleaners

- Alto-Shaam, non-caustic cleaner one (1) 32-ounce bottle (CE-46828)
- Alto-Shaam, non-caustic cleaner six (6) 32-ounce bottles (CE-46829)

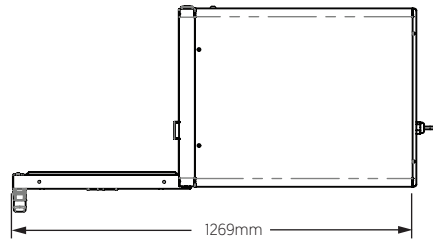
#### Accessories, misc.

- Stacking kit, 1000-TH over 1000-TH (5032046)
- Door lock with key (5028755)
- HACCP data logger, for Simple control (standard on Deluxe control)

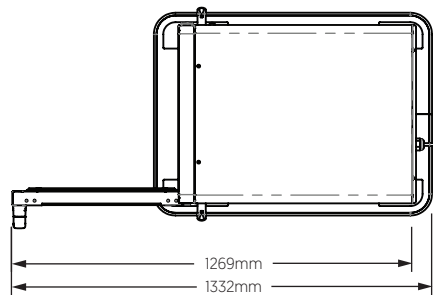
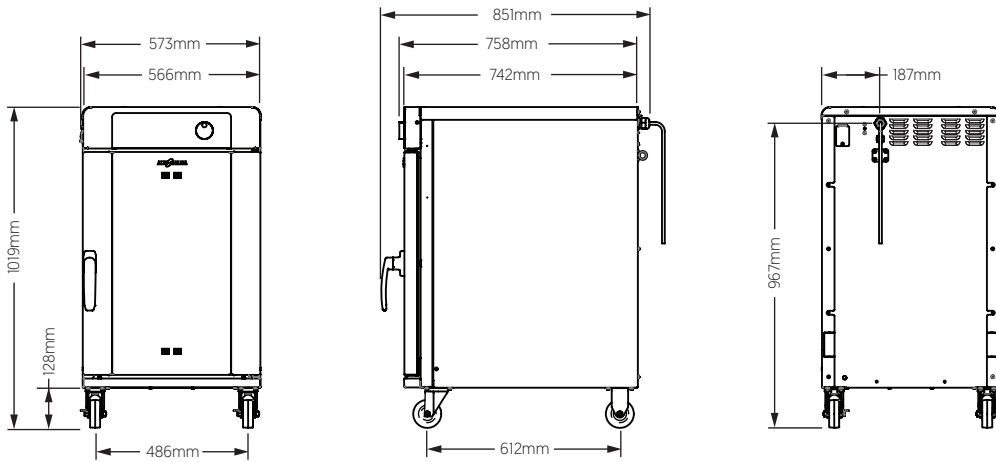
# Cook & Hold Oven

## Model 1000-TH

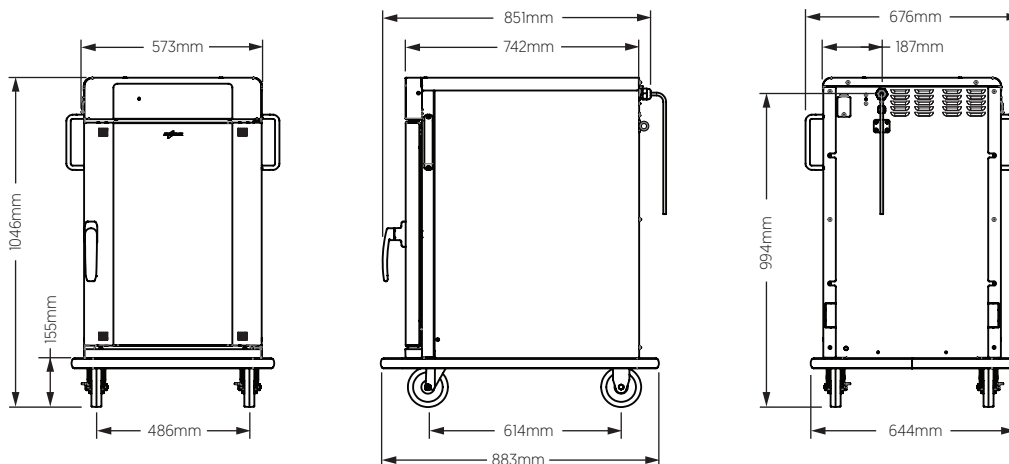
ALTO-SHAAM.



Shown with Simple control and 89mm casters



Shown with Deluxe control, 127mm casters, and handles



Interior (H x W x D)	Net Weight	Ship Dimensions (L x W x H)	Ship Weight
683mm x 479mm x 673mm	113 kg	991mm x 991mm x 1372mm	143 kg

# Cook & Hold Oven

## Model 1000-TH



Top:..... 51mm  
 Left:..... 51mm  
 Right:..... 51mm  
 Back: ..... 76mm

**CLEARANCE**



The oven must be installed level.  
 The oven must not be installed in any area where it may be affected by steam, grease, dripping water, high temperatures, or any other severely adverse conditions.

**CHECK FIRST**



### Heat of rejection

1000-TH	Heat Gain qs, BTU/hr	Heat Gain qs, kW
	831	0.24

**HEAT**



**Cooking temperature range:**  
 94°C–163°C  
**Holding temperature range:**  
 29°C–96°C

**TEMPERATURE**



**ELECTRIC**

1000-TH	V	Ph	Hz	Awg	IEC	A	Breaker (A)	kW	Plug Configuration*	Certification
120V	120	1	60	10	—	16	20 UL   30 CSA	1.9	NEMA 5-20P 20A-125V plug	 
208–240V**	208	1	60	10	—	15	20 UL   30 CSA	3.1	Various options available. Contact factory.	 
	240	1	60	10	—	17	20 UL   30 CSA	4.1		
230V	230	1	50/60	10	—	16	32	3.8	Various options available. Contact factory.	  IP X4

Electrical connections must meet all applicable federal, state, and local codes.

\*Additional cord and plug configurations available from factory.

\*\*Dedicated circuit required.

### CONTACT US

W164 N9221 Water Street | Menomonee Falls, Wisconsin 53051 | U.S.A.  
 Phone: 262.251.3800 | 800.558.8744 U.S.A./Canada | Fax: 262.251.7067 | [alto-shaam.com](http://alto-shaam.com)