

# Cook & Hold Oven

## Model 1750-SK

ALTO-SHAAM

Smoker Ovens effortlessly infuse bold flavors with real wood chips. No pressure-cooking or artificial smoke flavor required.

Gentle, low and slow Halo Heat® technology evenly surrounds food without the use of extremely hot elements, added humidity or fans. This controlled, uniform heat maintains precise temperatures throughout the hot smoking, cooking and holding process—improving food quality and extending hold times.

Cook by time or probe with simple or deluxe controls. Probes sense internal product temperature and automatically convert the oven from cook mode to hold mode once set parameters have been reached.

Labor-free, overnight smoking, cooking and holding paired with effortless operation reduces labor costs and increases productivity.

Advanced controls – designed intentionally simple – feature an intuitive, user-friendly interface and programmable recipes to ensure consistency with each cook.

ChefLinc™, cloud-based remote oven management software, streamlines processes and maximizes profits with data-driven insights (deluxe control only).

ISO 9001:2015-certified.



1750-SK  
Shown with Deluxe control

### Standard Features

- Casters (two [2] rigid, two [2] swivel with brake)
- Two [2] single-point, straight removable probes
- Drip tray and drip pan with drain
- Programmable, touchscreen control on Deluxe model
- Programmable control on Simple model
- HACCP data collection on Deluxe model
- Easy recipe upload/download via USB port
- SureTemp™ heat recovery on Deluxe model
- Two [2] stainless steel side racks with ten [10] pan positions spaced 1-3/8" on centers
- Removable exterior drip tray
- Woodchip tray and sample bag of woodchips



**CAPACITY**  
per Cavity

**9** Full-size pans — 20" x 12" x 2-1/2" on wire shelves  
GN 1/1 — 530mm x 325mm x 65mm

**18** Half-size pans — 10" x 12" x 2-1/2" on wire shelves  
GN 1/2 — 265mm x 325mm x 65mm

Weight maximum per cavity: 100 lbs. [45 kg]

Volume maximum per cavity: 75 quarts [71 liters]

Three [3] shelves included. Additional shelves required for maximum capacity.



### Configurations (select one each)

#### Models

- Simple
- Deluxe
- Ethernet option (5032090)

#### Door Choice

- Right hinged, solid door, standard
- Right hinged, window door
- Left hinged, solid door
- Left hinged, window door

#### Special Probe Configuration (if applicable)

- Multi-point probe (5017133)

#### Electrical

- 120V, 1Ph
- 208-240V, 1Ph
- 230V, 1PH

#### Casters and Legs

- 2-1/2" (64mm) casters, two (2) rigid two (2) swivel with brake, standard (5027134) – not available with bumper
- 3-1/2" (89mm) casters, two (2) rigid two (2) swivel with brake, option (5027133)
- 5" (127mm) casters, two (2) rigid two (2) swivel with brake, option, (5027112)
- 6" (152mm) legs, set of four (4)
- 6" (152mm) seismic legs, set of four (4)

#### Optional Accessories (select all that apply)

#### Bumper and Handles

- Full perimeter bumper
- Push/Pull handle kit

#### Additional Probes

- Sous vide probe (PR-36576)
- T-handle probe, up to six (6) with Deluxe per cavity (PR-46998)
- Straight probe, up to six (6) with Deluxe per cavity (qty two (2) included with oven) (PR-46999)

#### Drip Pans, Shelves, Holders

- Drip pan with drain (5027713)
- Drip pan, without drain (1034370)
- Increased capacity exterior drip pan (5030664)
- Shelf, stainless steel (SH-2324)
- Carving holder, prime rib (HL-2635)
- Carving holder, steamship (cafeteria round) (4459)

#### Cleaners

- Alto-Shaam, non-caustic cleaner one (1) 32-ounce bottle (CE-46828)
- Alto-Shaam, non-caustic cleaner six (6) 32-ounce bottles (CE-46829)

#### Accessories, misc.

- Door lock with key (5028755)
- HACCP data logger, for Simple control (standard on Deluxe control)

#### Woodchips, 2.0 lb (0.9 kg) bag

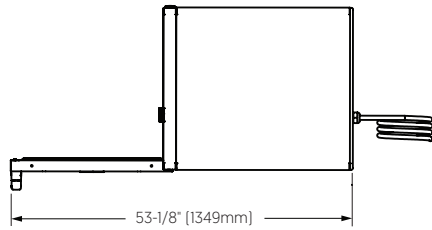
- Cherry (WC-22540)
- Maple (WC-22544)
- Apple (WC-22542)
- Hickory (WC-2828)

# Cook & Hold Oven Model 1750-SK

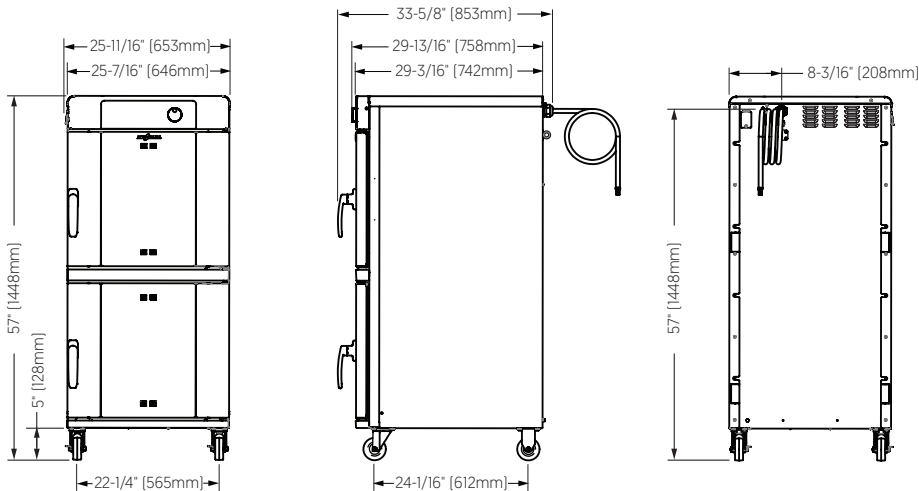
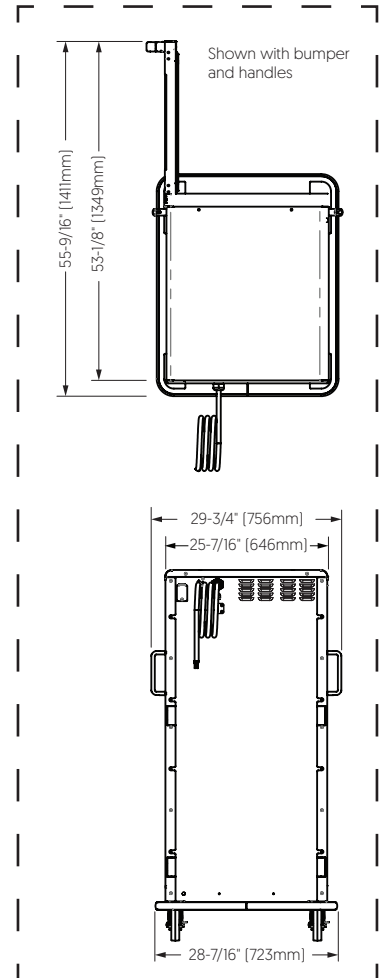
ALTO-SHAAM



**DIMENSIONS**



Shown with Simple control  
and 3-1/2" casters



| Interior (H x W x D)<br>Per Cavity                  | Net Weight           | Ship Dimensions (L x W x H)                 | Ship Weight          |
|---|----------------------|---|----------------------|
| 20-1/16" x 22" x 26-1/2"<br>(510mm x 559mm x 673mm) | 440 lbs.<br>(200 kg) | 39" x 39" x 79"<br>(991mm x 991mm x 2007mm) | 530 lbs.<br>(240 kg) |



**CLEARANCE**

- Top: ..... 2" (51mm)
- Left: ..... 2" (51mm)
- Right: ..... 2" (51mm)
- Back: ..... 3" (76mm)



**CHECK FIRST**

The oven must be installed level.

The oven must not be installed in any area where it may be affected by steam, grease, dripping water, high temperatures, or any other severely adverse conditions.

See local installation codes for smoker ventilation requirements.

# Cook & Hold Oven

## Model 1750-SK



### Heat of rejection

| 1750-TH | Heat Gain<br>qs,<br>BTU/hr | Heat Gain<br>qs,<br>kW |
|---------|----------------------------|------------------------|
|         | 1,825                      | 0.53                   |



### Cooking temperature range:

200°F–325°F [94°C–163°C]

### Holding temperature range:

85°F–205°F [29°C–96°C]



### 1750-SK

| 1750-SK  | V   | Ph | Hz    | Awg | IEC | A  | Breaker (A) | kW  | Plug Configuration* | Certification |
|----------|-----|----|-------|-----|-----|----|-------------|-----|---------------------|---------------|
| 208–240V | 208 | 1  | 60    | 8   | —   | 33 | 50          | 7.0 | No cord, no plug    |               |
|          | 240 | 1  | 60    | 8   | —   | 38 | 50          | 9.0 |                     |               |
| 230V     | 230 | 1  | 50/60 | 8   | —   | 36 | 63          | 8.3 | No cord, no plug    |               |
|          | 230 | 1  | 50/60 | 8   | —   | 25 | 32          | 5.8 |                     |               |
| 380-415V | 380 | 3  | 50/60 | 10  | 2.5 | 20 | 32          | 7.6 | No cord, no plug    |               |
|          | 415 | 3  | 50/60 | 10  | 2.5 | 22 | 32          | 8.9 |                     |               |

Electrical connections must meet all applicable federal, state, and local codes.

\*Additional cord and plug configurations available from factory.

## CONTACT US

W164 N9221 Water Street | Menomonee Falls, Wisconsin 53051 | U.S.A.  
 Phone: 262.251.3800 | 800.558.8744 U.S.A./Canada | Fax: 262.251.7067 | [alto-shaam.com](http://alto-shaam.com)